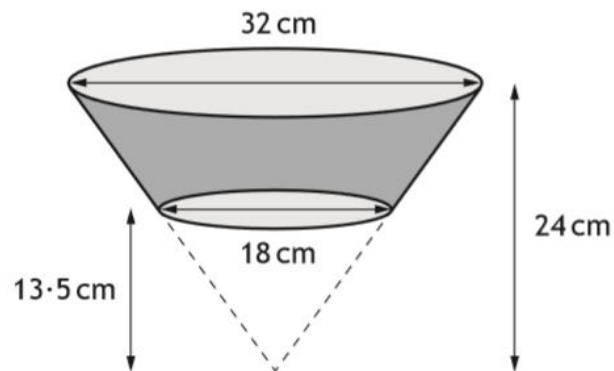


Qualification: SQA National 5 Mathematics 2016

Paper: 2 (Calculator)

Question: 7

7. A carton is in the shape of a large cone with a small cone removed.
The large cone has diameter of 32 cm and height 24 cm.
The small cone has diameter of 18 cm and height 13.5 cm.



Calculate the volume of the carton.

Give your answer correct to 2 significant figures.

5