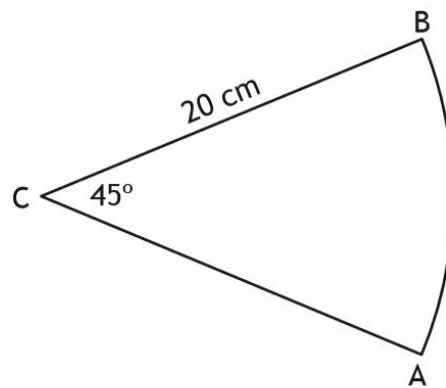


Qualification: SQA National 5 Mathematics 2016

Paper: 1 (Non-calculator)

Question: 3

3. The diagram shows a sector of a circle, centre C.



The radius of the circle is 20 centimetres and angle ACB is 45° .

Calculate the area of the sector.

Take $\pi = 3.14$.

3